

<b>Extension for greenhouse</b> <b>Victoria 23, Victoria 24, Classic, Comfort,</b> <b>Smart</b>					
<b>Rasēja</b>			20.03.2024	<b>ISO full</b>	
<b>Pasūtītājs</b>					

No.	Description	Measure	Quantity
<b>Elongation frame VICTORIA 3x1,98m (2023)</b>			
<b>Specification</b>			
1	Frame screws 5,5x19	pcs.	140
2	Screws for polycarbonate 4,8x19	pcs.	70
3	Self- tapping screws 4,8x19	pcs.	20
4	Washers for polycarbonate 5.5x30x1.0mm	pcs.	70
5	Roof skates 1,05m	pcs.	6
6	Polycarbonate 2,1x6m + 2,1x1,75 / or Cut to size polycarbonate (1 boxes = 8 sheets /1,73x1,05)	sheets boxes	1+1 1
<b>Description</b>			
<b>Elongation frame VICTORIA 3x1,98m (2024)</b>			
<b>Specification</b>			
1	Frame screws 5,5x19	pcs.	140
2	Screws for polycarbonate 4,8x19	pcs.	70
3	Self- tapping screws 4,8x19	pcs.	20
4	Washers for polycarbonate 5.5x30x1.0mm	pcs.	70
5	Roof skates 1,05m	pcs.	6
6	Polycarbonate 2,1x6m + 2,1x1,75 / or Cut to size polycarbonate (1 boxes = 8 sheets /1,73x1,05)	sheets boxes	1+1 1
<b>Description</b>			
<b>Elongation frame CLASSIC 2,5x1,98m</b>			
<b>Specification</b>			
1	Frame screws 5,5x19	pcs.	140
2	Screws for polycarbonate 4,8x19	pcs.	70
3	Self- tapping screws 4,8x19	pcs.	20
4	Washers for polycarbonate 5.5x30x1.0mm	pcs.	70
5	Roof skates 1,05m	pcs.	6
6	Polycarbonate 2,1x6m / or Cut to size polycarbonate (1 boxes = 8 sheets /1.5x1,05)	sheets boxes	1 1
<b>Description</b>			
<b>Elongation frame SMART / COMFORT 2x1,98m</b>			
<b>Specification</b>			
1	Frame screws 5,5x19	pcs.	140
2	Screws for polycarbonate 4,8x19	pcs.	70
3	Self- tapping screws 4,8x19	pcs.	20
4	Washers for polycarbonate 5.5x30x1.0mm	pcs.	70
5	Roof skates 1,05m	pcs.	6
6	Polycarbonate 2,1x6m or Cut to size polycarbonate (1 boxes = 4 sheets /1,5x1,05 + 4sheets 1.05x1.35m)	sheets boxes	1 1



Specification

Lapa 2

**Extension for greenhouse**  
Victoria 23, Victoria 24, Classic, Comfort,  
Smart

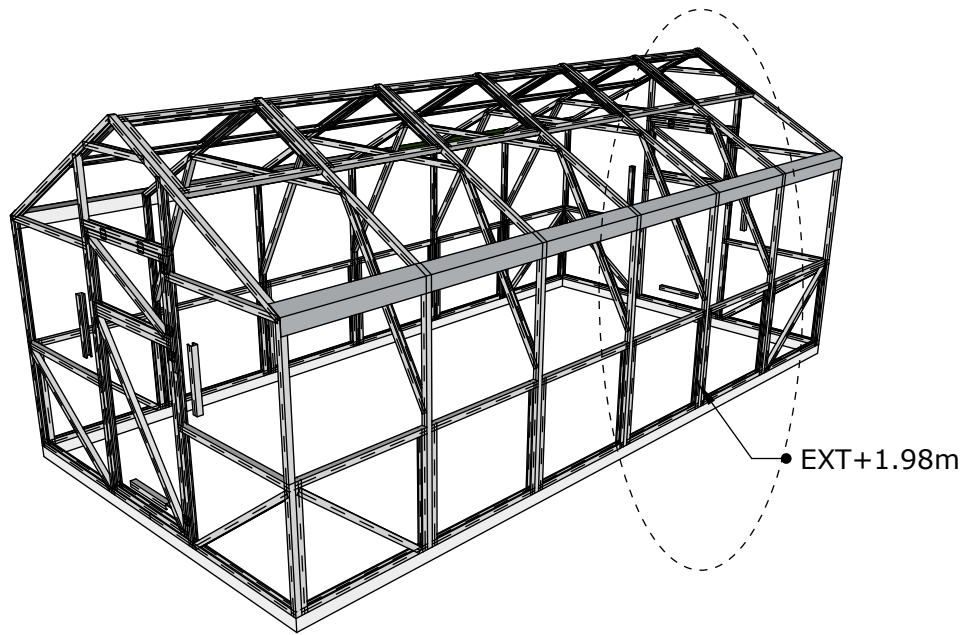
20.03.2024

Rasēja

Pasūtītājs

Extensions for greenhouse models **Victoria 23, Victoria 24, Klasic, Comfort, Smart** have the same configuration and assembly principle. Depending on the model, only the width of the "Frame" frame changes.

1. Assemble the panels Frame, RF and S1 according to the scheme indicated in the instructions for your greenhouse.
2. The extension is installed in the frame of the greenhouse between the frame "Frame" and the frame "D" (see diagram below)

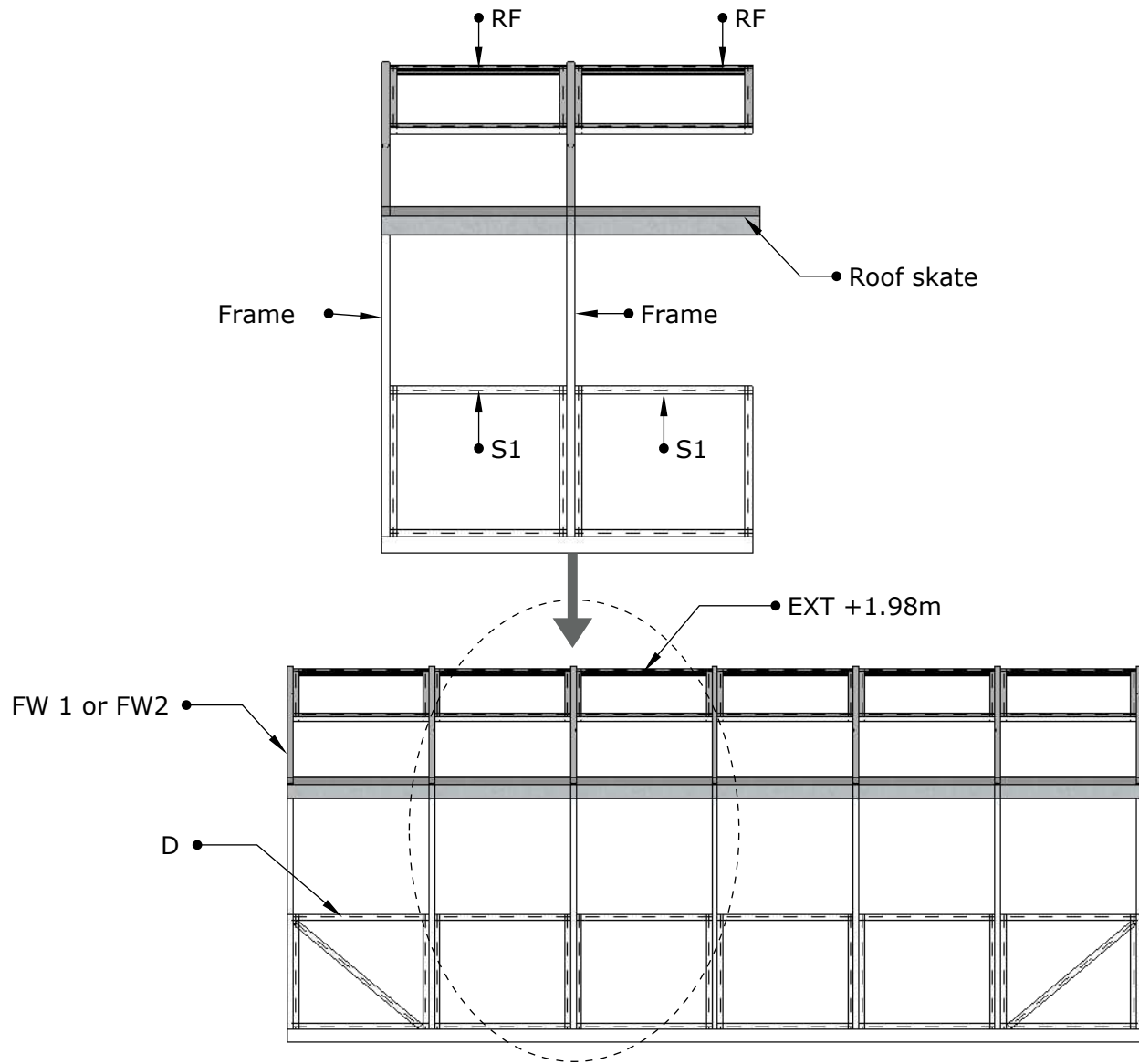


Part name	Quantity
Frame	2
S1	4
RF	4

### Attention!

Greenhouse frame is meant to be mounted on foundation.  
During winter season snow cover from greenhouse roof needs to be cleared and install temporary wooden support beams if needed.

Extension for greenhouse Victoria 23, Victoria 24, Classic, Comfort, Smart					Description
Rasēja			20.03.2024		
Pasūtītājs					



**Extension for greenhouse  
Victoria 23, Victoria 24, Classic, Comfort,  
Smart**



Rasēja

20.03.2024

Assembly

Pasūtītājs

Lapa 4